



## Computer Security Products Inc.

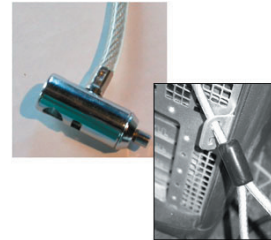
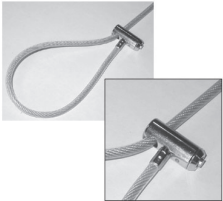
### ECONOMY KIT GENERAL INSTRUCTIONS

By threading the cable through the second hole in the lock and then looping it back into the locking mechanism, you achieve a loop at both ends of the cable.



The versatility of the economy cable's locking mechanism allows for multiple configurations.

By locking the lock directly into the locking mechanism, you achieve a bullet on one end of the cable, along with the standard loop at the other end.



**WARNING:** You **MUST** thoroughly scratch up the surface where the rectangle is to be installed with the green pad (included) or the glue will not work.



1. Clean the rectangle and the surface where the rectangle is to be installed with the enclosed alcohol wipe. Let dry completely. (3-4 min).
2. Remove the cap and the applicator tip from the tube of adhesive. Then puncture the metal cover of the tube with the cap. Replace the applicator tip. THE APPLICATOR TIP HAS A SMALL HOLE - IT IS NOT NECESSARY TO CUT THE TIP.
3. Cover the entire flat surface of the rectangle with a very thin layer of adhesive.
4. Place rectangle on prepared surface and apply gentle pressure to the mated surfaces. Do not move until adhesive sets in about 60 seconds.
5. The bond is now strong enough to pass the cable through the fasteners with minimal load and tension until the ultimate bond strength is reached in 24 hours.

\*Continued on Reverse\*

# Universal X-Clip (XLK/U) Installation Instructions



The X clip is for use in the built-in security slot (fig.1).

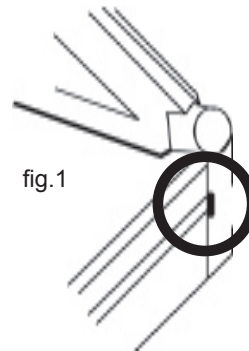


fig.1

Using the X clip in a scissor like fashion, insert the clip into the security slot and then close the clip until the holes are aligned (fig 2 & 3). You can now pass your security cable, padlock or what ever device you are using through the clip.



fig.2

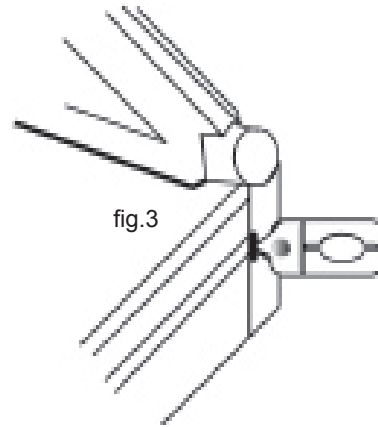


fig.3

If your computer has a horizontal security slot (i.e. the new iMacs), or you are using a larger cable, you can use the included bracket (fig 4,5 & 6) by inserting the bracket through the slot in the clip and passing the cable through the hole in the bracket. The cable keeps the bracket from being removed, preventing the clip from being opened.

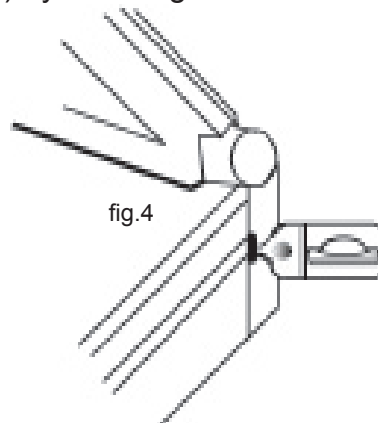


fig.4



fig.5



fig.6