



P.O. Box 7549  
Nahua, NH 03060  
Ph: 800-466-7636  
Fax: 800-615-1954

# Computer Security Products Inc.

E-Mail: [CS@ComputerSecurity.com](mailto:CS@ComputerSecurity.com)  
[www.ComputerSecurity.com](http://www.ComputerSecurity.com)

## PLT-591 INSTALLATION INSTRUCTIONS FOR USE WITH FIBER

The rectangular plate fastener is a permanent installation and can be used on plastic, metal, wood, and other materials. A Loctite instant adhesive is used to bond the disc to your monitor or other equipment. This bond is much more secure than the peel-and-stick foam tape found on other products.

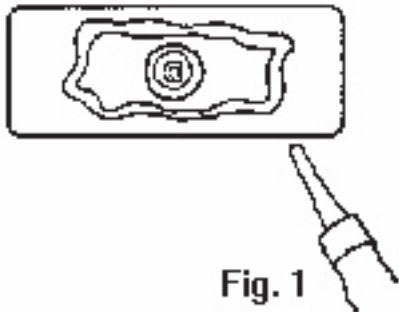


Fig. 1

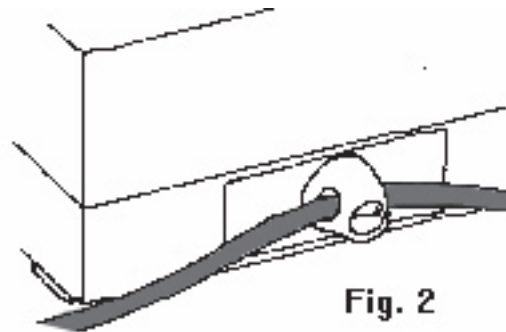


Fig. 2

1. Clean the plate and the surface where the plate is to be installed with the enclosed alcohol wipe. Let dry completely. (3-4 min.)
2. Remove the cap and the applicator tip from the tube of adhesive. Then puncture the metal cover of the tube with a paper clip or other sharp object. Replace the applicator tip. THE APPLICATOR TIP HAS A SMALL HOLE - IT IS NOT NECESSARY TO CUT THE TIP.
3. Cover the entire flat surface of the plate with a thin layer of adhesive.
4. Place the plate on prepared surface and apply gentle pressure to the mated surfaces. Do not move disc until adhesive sets in about 60 seconds.
5. The bond is now strong enough to pass the fiber through the fastener as shown in Fig. 2 with minimal load and tension until the ultimate bond strength is reached in 24 hours.

CAUTION: Read precautions on tube.