

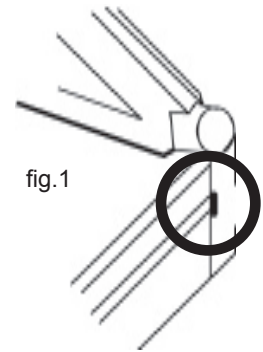


Computer Security Products Inc.

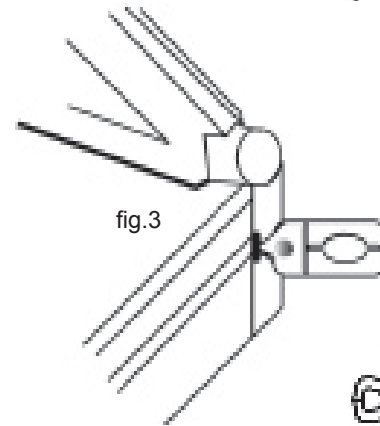
Universal X-Clip (XLK/U) Installation Instructions



The X clip is for use in the built-in security slot (fig.1).



Using the X clip in a scissor like fashion, insert the clip into the security slot and then close the clip until the holes are aligned (fig 2 & 3). You can now pass your security cable, padlock or what ever device you are using through the clip.



If your computer has a horizontal security slot (i.e. the new iMacs), or you are using a larger cable, you can use the included bracket (fig 4,5 & 6) by inserting the bracket through the slot in the clip and passing the cable through the hole in the bracket. The cable keeps the bracket from being removed, preventing the clip from being opened.

